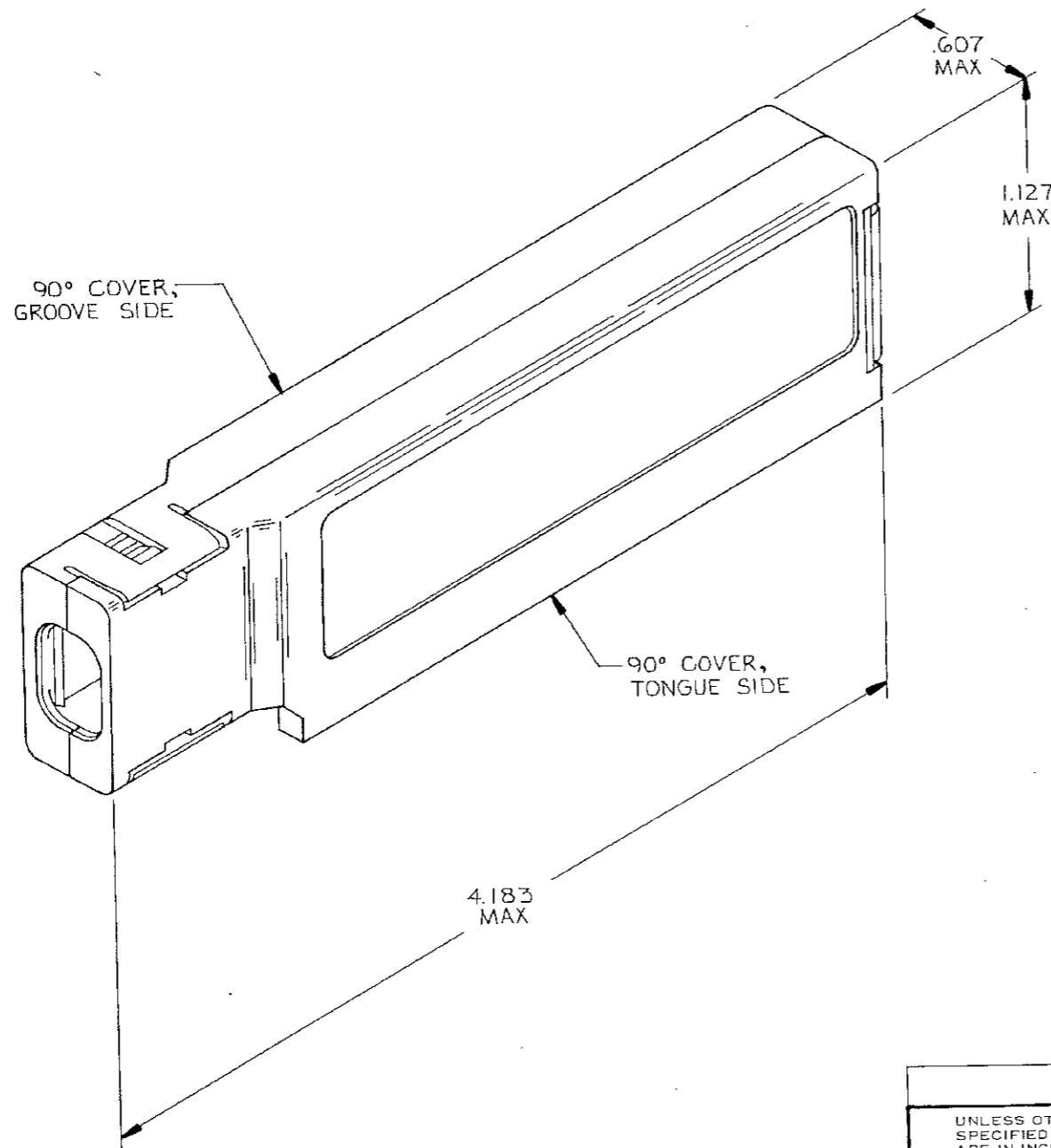


THIS DRAWING IS UNPUBLISHED. RELEASED FOR PUBLICATION . 19
 © COPYRIGHT 19 BY AMP INCORPORATED, HARRISBURG, PA. ALL INTERNATIONAL RIGHTS RESERVED. AMP PRODUCTS MAY BE COVERED BY U.S. AND FOREIGN PATENTS AND/OR PATENTS PENDING.

REVISIONS				DATE	APPROVED
P	F	ZONE	LTR		
		H		08S:-4; ELO210-0415-96	11/04/85 DS MH
		J		08S:-61,-63; 0515-0319-02	1-83 RM

- COVERS SHIPPED NOT ASSEMBLED.
- 100 KITS BULK PACKED.



.540 - .605	BLACK	2-	-1	2-	-1	2-	-1
.475 - .540		1-	-1	1-	-1	1-	-1
.410 - .475	BLACK						
CABLE RANGE DIAMETER	COLOR	GROOVE SIDE PART NO.		TONGUE SIDE PART NO.		KIT PART NO.	
		552494 -1	552495 -1	552496 -1			

UNLESS OTHERWISE SPECIFIED DIMENSIONS ARE IN INCHES. TOLERANCES ON: DECIMALS ± — ANGLES ± —	CONTRACT NO	AMP AMP INCORPORATED Harrisburg, Pa. 17105	
	DR S. Pozoranchuk 1-29-85	COVER KIT, 90°, 64 POSITION, CHAMP®	
	CHK C. Canty 1-30-85		
	APPD W. L. Johnson 1-31-85		
MATERIAL POLYPHENYLENE	APPD W. L. Johnson 1-31-85	SIZE C	FSCM NO 00779
FINISH	DSGN APPD	DRAWING NO 552496	
	OTHER APPD	SCALE 2:1	SHEET 1 OF 1

552496

CUSTOMER DRAWING